



AKC58 AKC68 AKC90

Keg Coolers

AKC58, AKC68, AKC90 | Keg Coolers



Features:

- Stainless steel exterior
- Stainless steel interior
- Electronic thermostat with digital LED display
- Temperature range 32F to 50F
- Doors with locks and keys
- Automatic defrost system
- High density CFC-free polyurethane foam
- Forced air refrigeration system maintains temperature
- Comes standard with 4" casters, 2 with brake
- Comes with towers, beer faucets, beer line, and CO2 distributor
- LED lights
- Designed to accommodate a variety of beer keg sizes



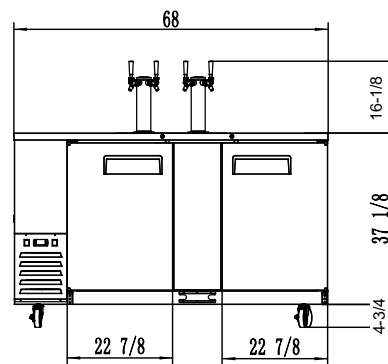
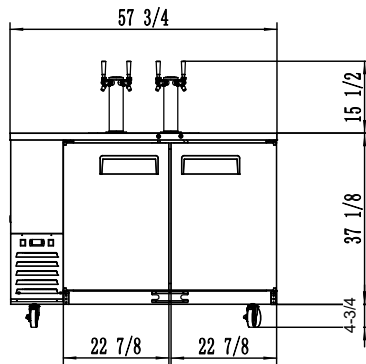
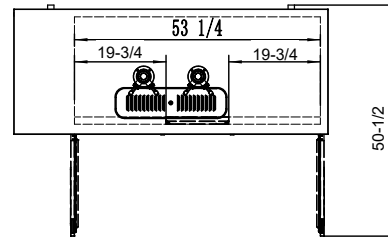
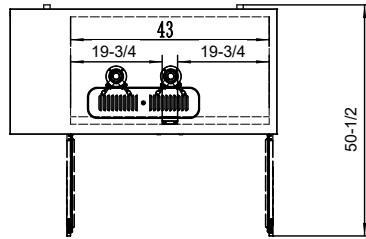
AKC58 58" KEG COOLER	
Doors	2
Kegs	2
Amps	2.3
HP	1/6
Voltage	115/60/1
Size (W x L x H)	57-3/4" x 28-1/8" x 41-7/8"
Shipping Weight	258

AKC68 68" KEG COOLER	
Doors	2
Kegs	2
Amps	2.3
HP	1/6
Voltage	115/60/1
Size (W x L x H)	68" x 28-1/8" x 41-7/8"
Shipping Weight	291

AKC90 90" KEG COOLER	
Doors	3
Kegs	3
Amps	2.8
HP	1/5
Voltage	115/60/1
Size (W x L x H)	89-3/4" x 28-1/8" x 41-7/8"
Shipping Weight	357

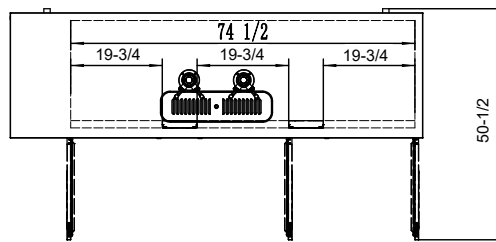
In the pursuit of a better product, durability and performance, Aurora reserves the right to change specifications, materials and design without further notice.

Keg Coolers | AKC58, AKC68, AKC90

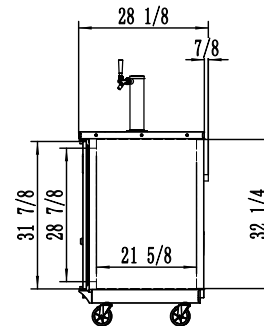
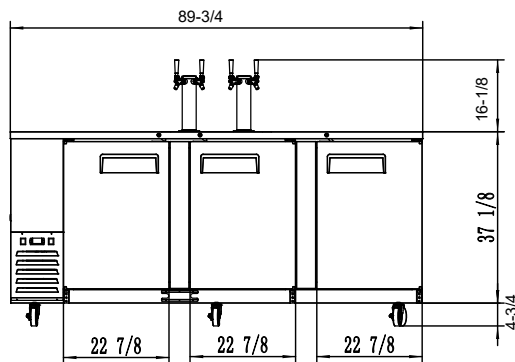


AKC58

AKC68



Side View



AKC90

Side View

