

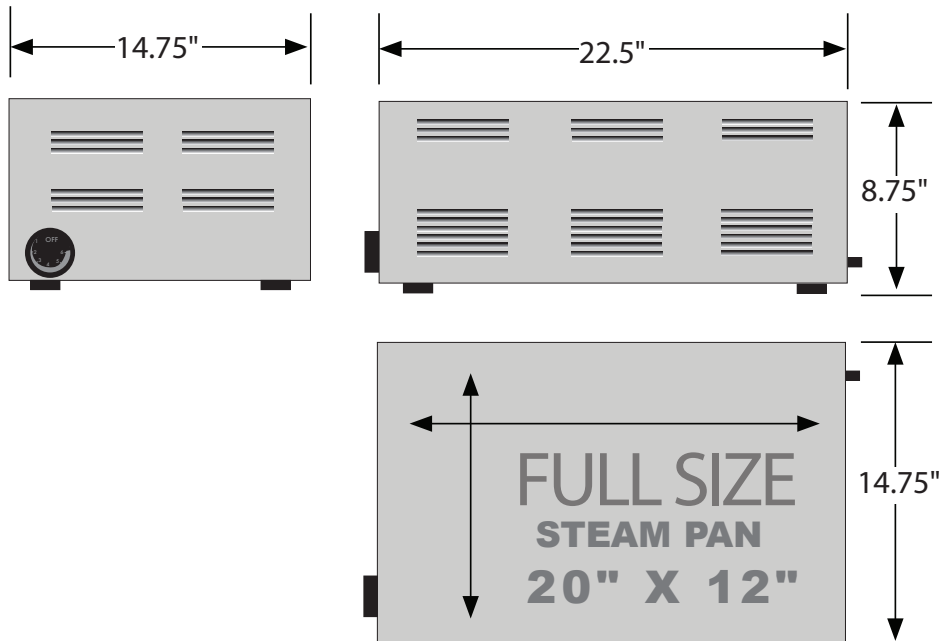
| | |
|--------------|--|
| Item No.: | |
| Project No.: | |
| Qty: | |

CT-FW7701-F

ELECTRIC FULL-SIZE COUNTERTOP FOOD WARMER



- Stainless steel interior and exterior
- 20 quart capacity
- Designed for continuous use
- Thermostatic variable temperature
- 1200 Watts 120V/60HZ, 10 amp
- Holds full size and fractional pans
- Firm grip rubber feet
- 3 foot grounded power cord
- Countless steam pan configurations
- Easy adjust front control knob
- Heating indicator lamp
- Double wall insulated case
- Built-in drain makes cleaning easy



PATRIOTWARES ELECTRIC FULL-SIZE COUNTERTOP FOOD WARMER

| MODEL | DESCRIPTION | W X D X H | WEIGHT | CARTON SIZE |
|-------------|-----------------|------------------------|------------|-----------------|
| CT-FW7701-F | 20 qt. capacity | 14.75" x 22.5" x 8.75" | 19.15 lbs. | 25" x 16" x 10" |